

# Banbury® Technical Specification

## Towel Ring

# Y2686

### Stock Numbers:

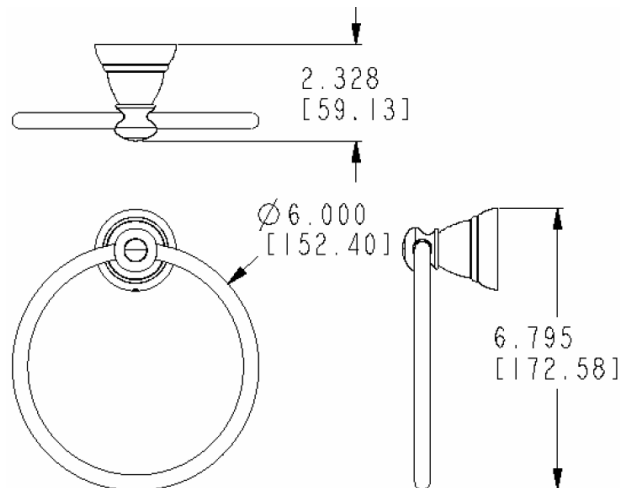
- ❑ **Y2686BN – Towel Ring**  
Brushed Nickel Finish
- ❑ **Y2686BRB – Towel Ring**  
Mediterranean Bronze Finish
- ❑ **Y2686CH – Towel Ring**  
Chrome Finish
- ❑ **Y2686BL – Towel Ring**  
Matte Black Finish

### Materials:

**Towel Ring post** is die cast from highest quality zinc alloy (Zamac). Casting is plated in Chrome, Brushed Nickel, Matte Black or Mediterranean Bronze.

**Towel ring** is aluminum for Brushed Nickel, Matte Black and Chrome finishes and stainless steel for Mediterranean Bronze.

### Dimensions:



### Installation Instructions:

1. Remove mounting plate from hardware pack.
2. Position the mounting plate on the wall at desired location with "UP" facing you. Mark hole locations.
3. Drill two holes as marked using a 5/16" drill bit.
4. Fold ends of the plastic toggle together and insert into each hole in the wall.
5. Lightly tap anchors until flush with the wall.
6. One at a time, insert plastic pin into each anchor and lightly tap to activate anchor.
7. Place the mounting plate on the wall over the installed wall anchors with "UP" facing you.
8. Tighten screws.
9. Place decorative product over the mounting plate with setscrew facing down and tighten setscrew.

### Cleaning Instructions:

To preserve the fine finish of this product, clean only with a soft damp cloth. Dry well. Do not use commercial or abrasive cleaners.

**Stock Number:** \_\_\_\_\_ **Towel Ring**  
**By Moen Inc.**

# MOEN®

25300 AL MOEN DRIVE • NORTH OLMSTED, OH 44070  
CORPORATE HEADQUARTERS: (800) 321-8809 • FAX: (800) 848-6636  
INTERNATIONAL: (440) 962-2000 • FAX: (440) 962-2726  
CUSTOMER SERVICE (USA): 800-882-0116 • FAX: (888) 379-2720  
WWW.MOEN.COM

©Copyright Moen Incorporated